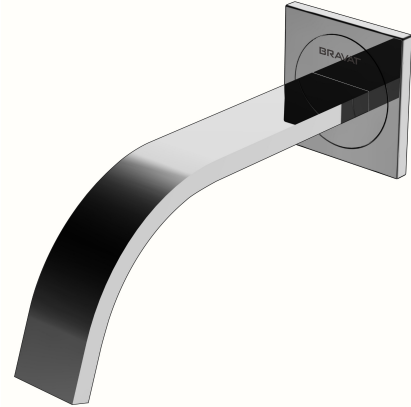
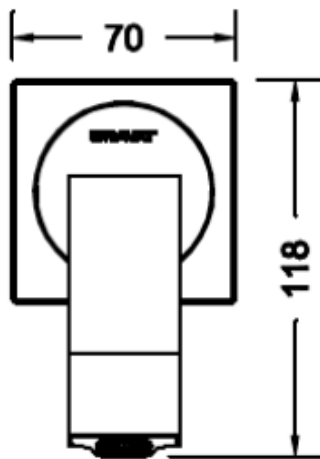
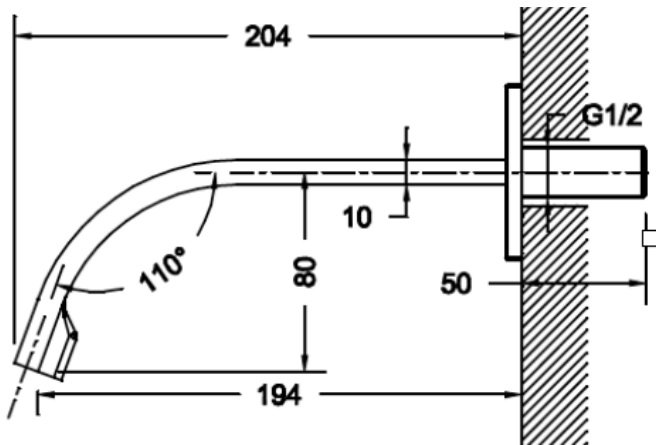


BRAVAT

BY DIETSCHE  1873

PH-5000 Bath Spout *G1/2 Male Thread



CONSTRUCTION: Super Brass

CONNECTION: 1/2Ø Male Thread

WORKING PRESSURES: 150 - 500 Kpa

OPERATING TEMPERATURE: 5°C - 70°C

Warranty: 15 Years Warranty & Lifetime on cartridge* (Terms & Conditions Apply)

